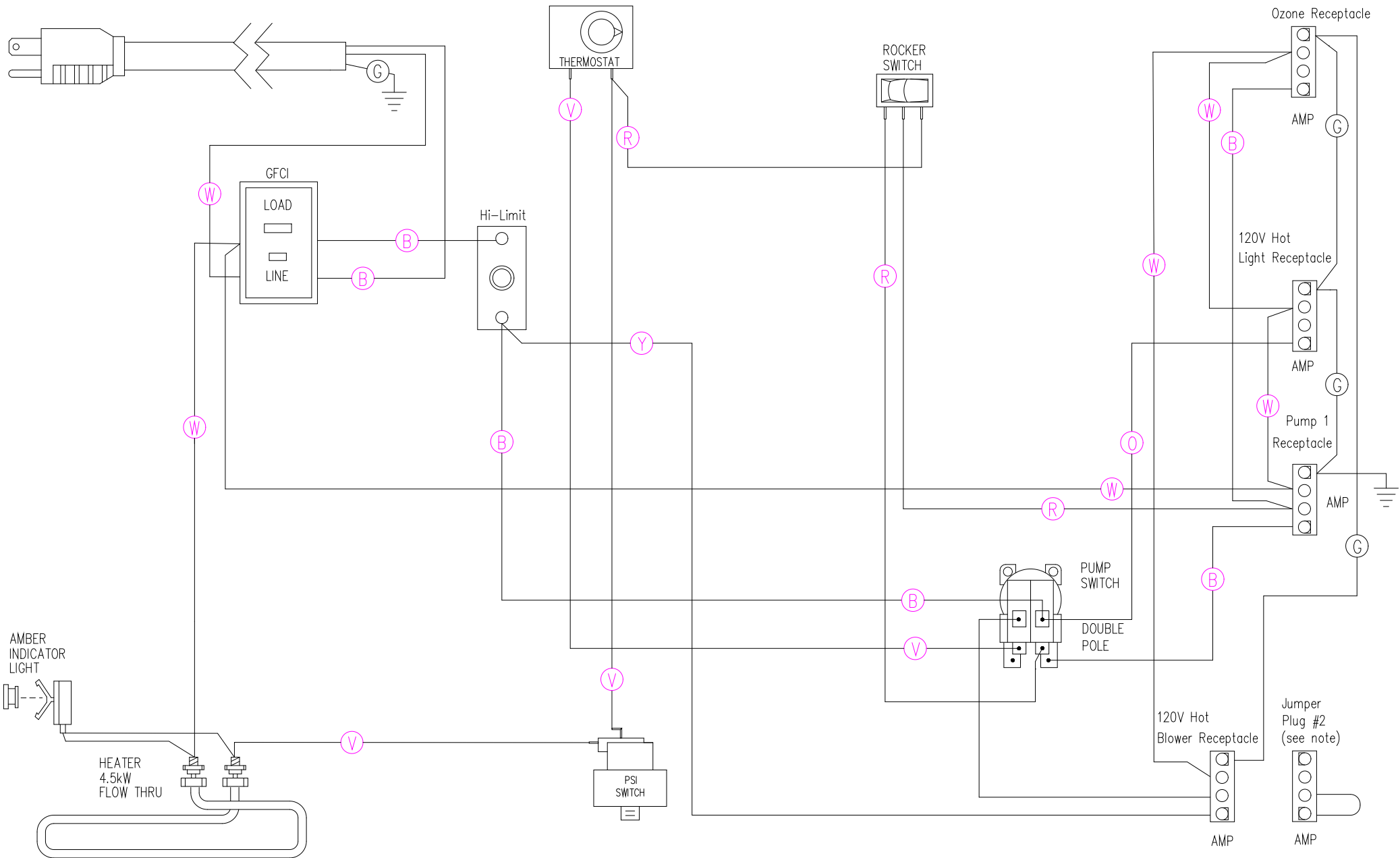


15 AMP POWER CORD



HYDRO-QUIP
CORONA, CA 909.273.7575

Manufacture Notes:

Dwg. No.
103TG-BDEKQYZ-F

Drawn
DJT
Date
03.14.97

Rev
0

Wire Color Code

B - Black	G - Green
Br - Brown	Bl - Blue
R - Red	V - Violet
O - Orange	W - White
Y - Yellow	Gr - Grey

NOTE: Jumper Plug #2 is for use when Blower is NOT installed. Failure to do so will cause the equipment to malfunction.

Diagram No.
1151